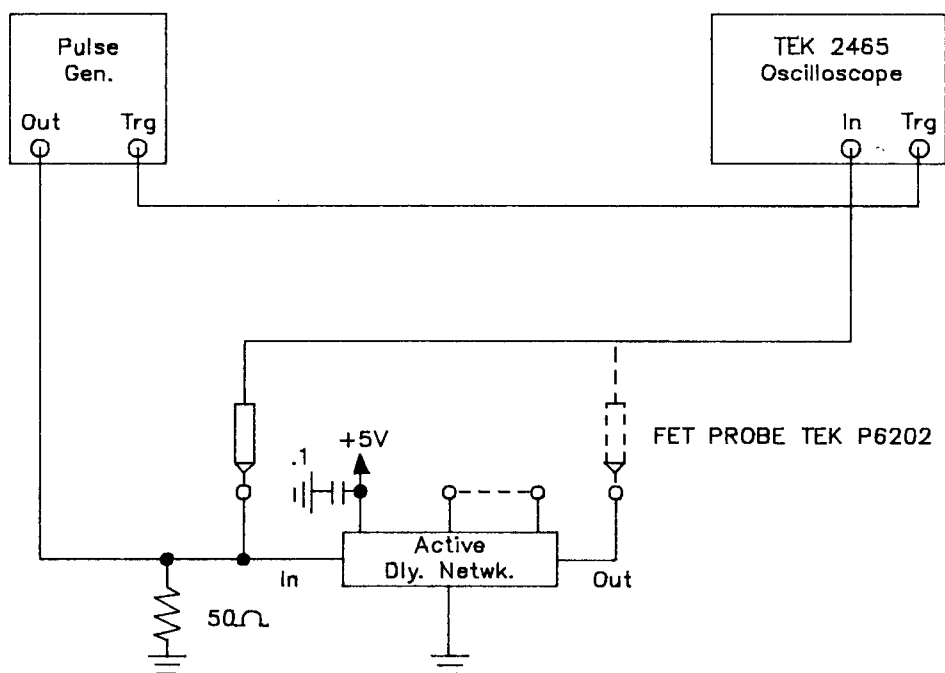


## RECOMMENDED ACTIVE DELAY LINE TEST CIRCUIT



### NOTES: (Unless otherwise specified)

1. All measurements made at 25C.
2. Delays measured at 1.5 V levels.
3. Risetime measured from .75 V to 2.4 V levels.
4. Pulse Repetition Rate: 200 KHz TYP.
5. Pulse Width: 3 x Total Delay TYP.