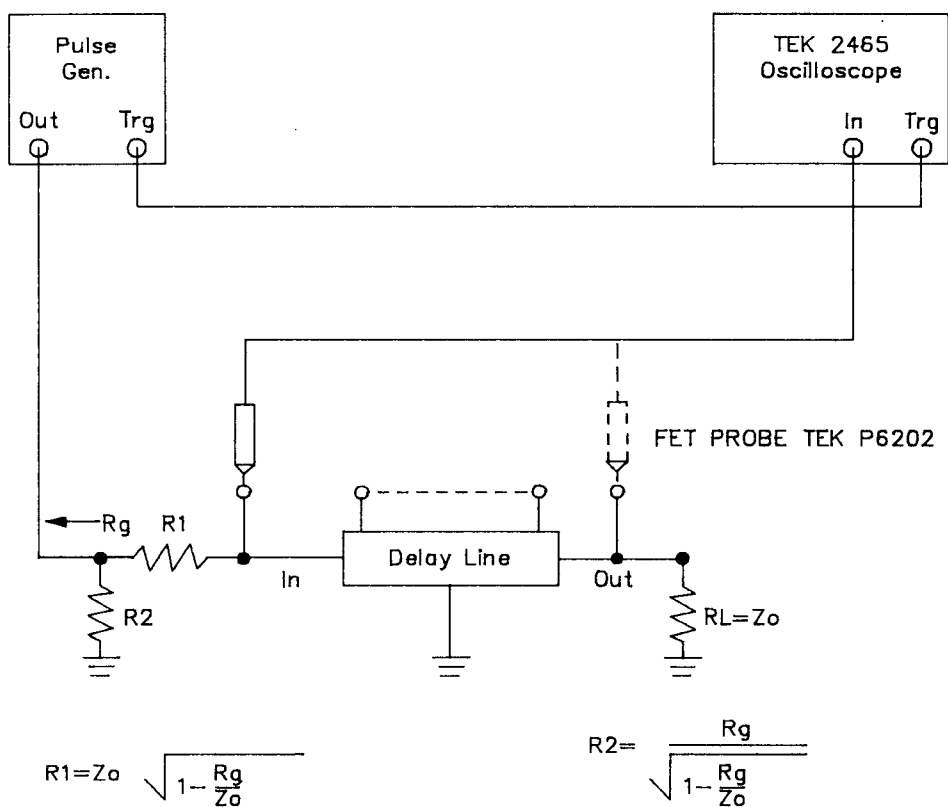


STANDARD TEST CIRCUITS

RECOMMENDED PASSIVE DELAY LINE TEST CIRCUIT



NOTES: (Unless otherwise specified)

1. All measurements made at 25C.
2. Delays measured at 50% Amplitude Points.
3. Risetime measured from 10% - 90% Amplitude Points.
4. Pulse Repetition Rate: 200 KHz TYP.
5. Pulse Width: 3 x Total Delay TYP.